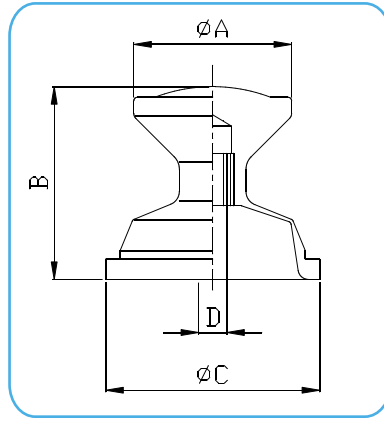


# ASEPTIC VALVES DIAPHRAGMS

Tank bottom and In-Line



## MVA-T MODIFIED PTFE DIAPHRAGM

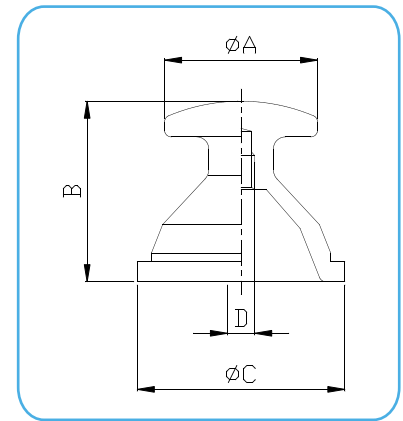
CODE	SIZE	ØA mm	B mm	ØC mm	D mm
MVA-075-T	¾"	22	26.5	36	M6
MVA-100-T	1"	32	39	49	M8
MVA-150-T	1½"	45	55	61	M8
MVA-200-T	2"	58	72	97.5	M10
MVA-300-T	3"	90	91.5	112	M10
MVA-400-T	4"	120	123	160	M10
MVA-600-T	6"	170	176	213	M12

### CERTIFICATES:

- FDA
- USP Class VI
- Animal derived ingredient free
- BSE/TSE free
- Other on request

**The diaphragm's materials are not interchangeable.  
Contact us for switching from a material to another.**

## MVA-X SILICONE DIAPHRAGM



### CERTIFICATES:

- FDA
- USP Class VI
- Animal derived ingredient free
- BSE/TSE free
- Other on request

CODE	SIZE	ØA mm	B mm	ØC mm	D mm
MVA-075-X	¾"	23	23.5	36	M4
MVA-100-X	1"	35	35	50	M6
MVA-150-X	1½"	45	53	61	M8
MVA-200-X	2"	67	68	97.5	M8

### DATASHEETS



Last updates can be found on our website - [www.aerreinox.it](http://www.aerreinox.it)  
In the interests of development of the product, we reserve the right to change the specifications without prior notice